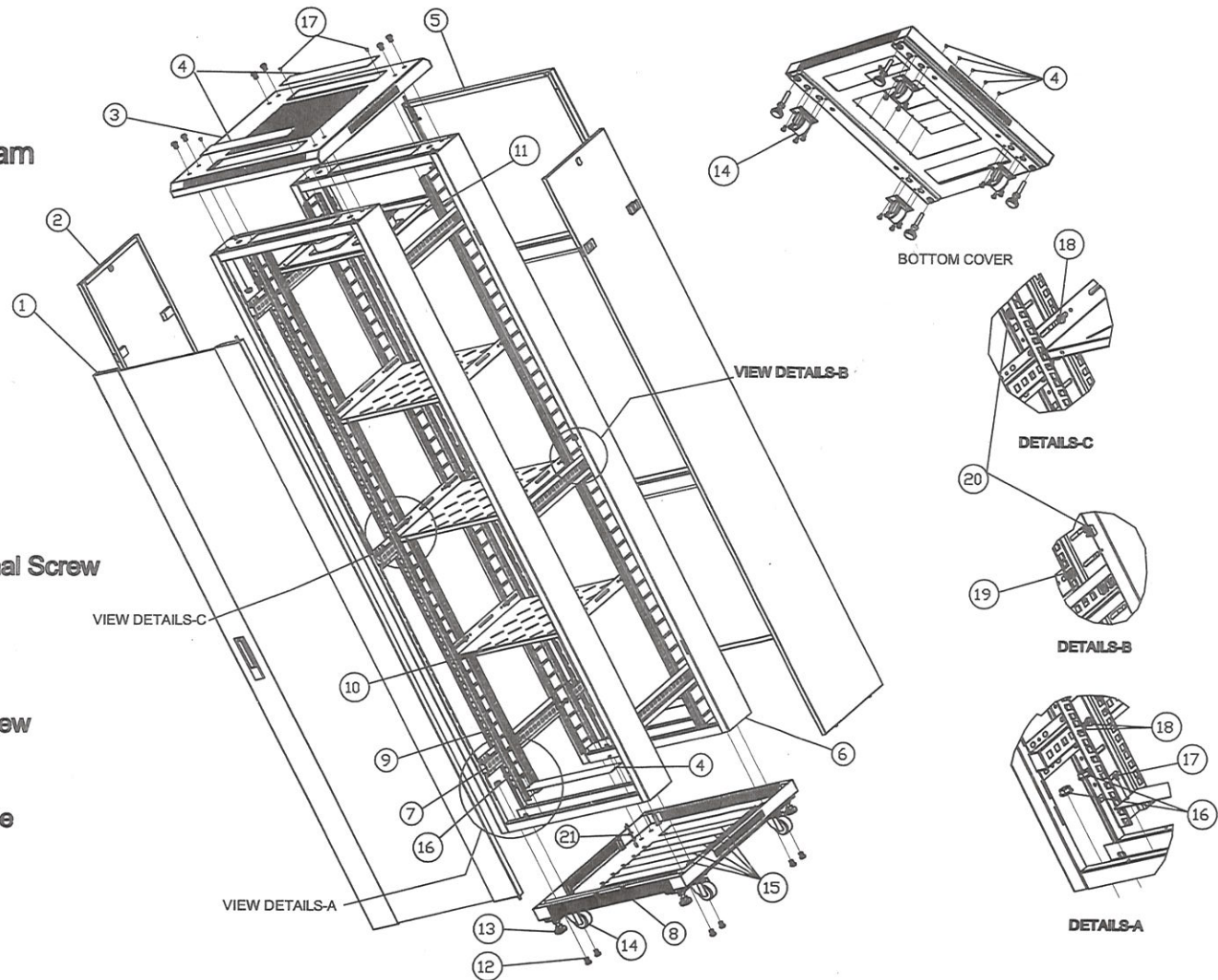


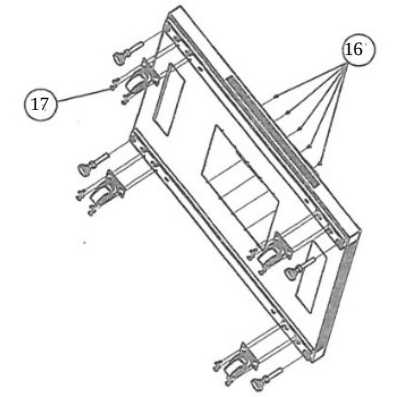
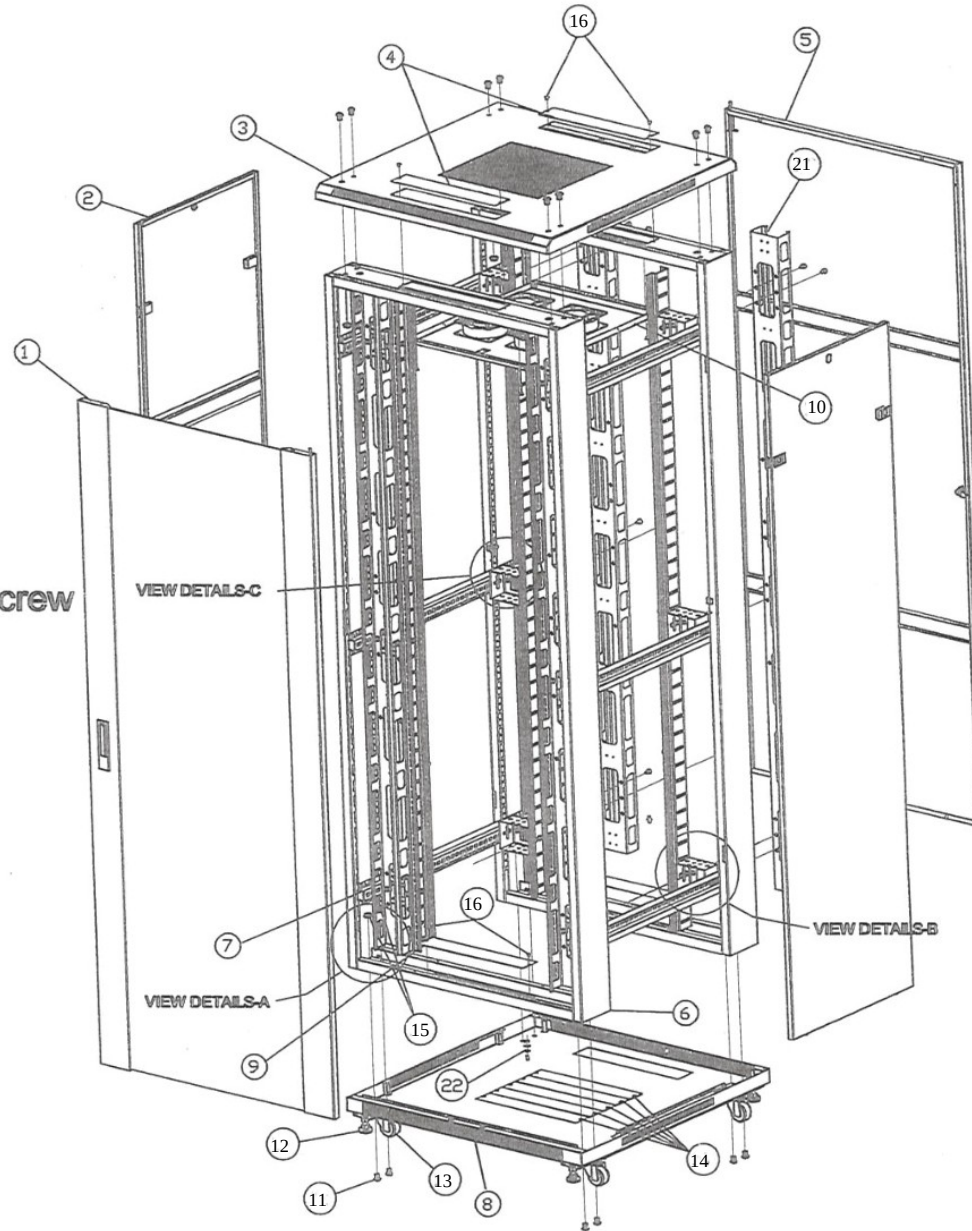
## The Cabinet Installation Diagram

1. Front Glass Door
2. Side Door
3. Top Cover
4. Top Cover Board
5. Back Door
6. Frame
7. Mounting Angle
8. Bottom Cover
9. Mounting Profile
10. Fixed Shelf
11. Fan Tray
12. M8\*12 Inside Hexagonal Screw
13. Adjustable Feet
14. Castors
15. Bottom Cover Board
16. M8 Flange Nut
17. M4\*8 Self-Tapping Screw
18. M6\*12 & Washer
19. M6 Cage & Nuts
20. L Type Side Door Baffle
21. Cages for Grounding

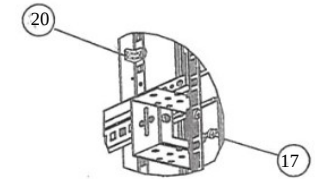


## The Cabinet Installation Diagram

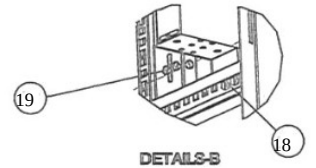
1. Front Glass Door
2. Side Door
3. Top Cover
4. Top Cover Board
5. Back Door
6. Frame
7. Mounting Angle
8. Bottom Cover
9. Mounting Profile
10. Fan Tray
11. M8\*12 Inside Hexagonal Screw
12. Adjustable Feet
13. Castors
14. Bottom Cover Board
15. M8 Flange Nut
16. M4\*8 Self-Tapping Screw
17. M6\*12 & Washer
18. M6 Cage & Nuts
19. M6 Flange Nut
20. L Type Side Door Baffle
21. Vertical Cable Manager
22. Cages for Grounding



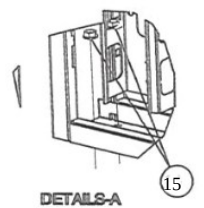
BOTTOM COVER



DETAILS-C



DETAILS-B



DETAILS-A