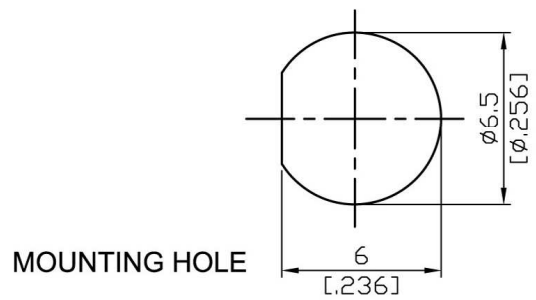
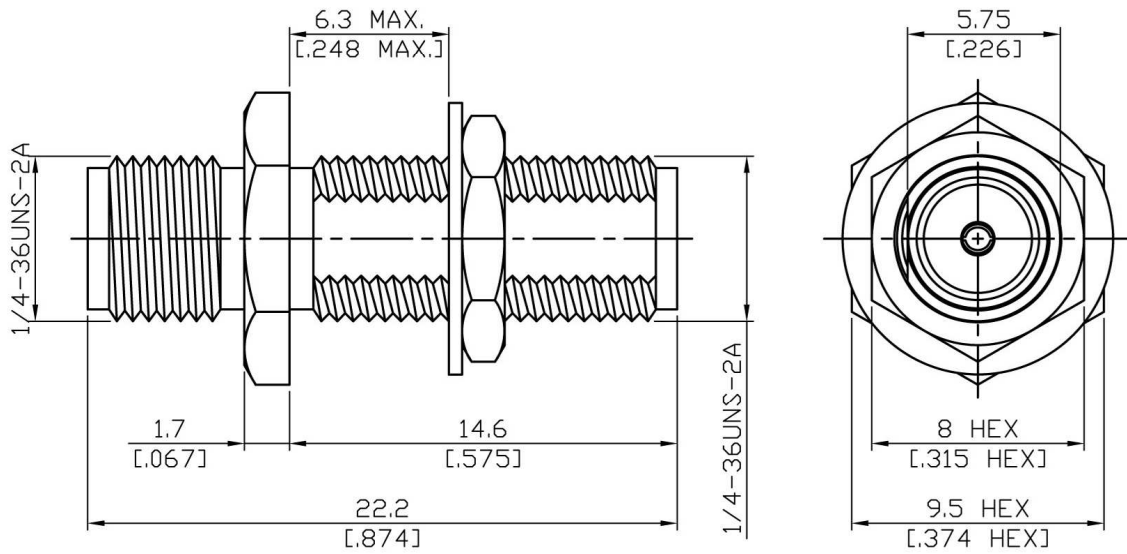


3126700400

SMA Jack To SMA Jack Bulkhead

50Ω



Parts	Material	Plating (Micro-inch)
Hex Nut	Brass	Tin-Zinc-Copper-Alloy 100 Over Copper 50
Lock Washer	Brass	Tin-Zinc-Copper-Alloy 100 Over Copper 50
Contact Pin	Beryllium Copper	Gold 4 Over Nickel-Phosphorus Alloy 80 Over Copper 20
Insulator	Teflon	
Body	Brass	Tin-Zinc-Copper-Alloy 100 Over Copper 50

3126700400

SMA Jack To SMA Jack Bulkhead

Interface

Standard MIL-STD-348B
Mechanically compatible with 2.92 & 3.5

Electrical Data

Impedance 50Ω
Frequency Range DC To 18GHz
VSWR ≤ 1.2 (DC To 18GHz)
Insertion Loss $\leq 0.04 \times \sqrt{f(\text{GHz})}$ dB
Insulation Resistance $\geq 5000\text{M}\Omega$
Dielectric Withstanding Voltage (at sea level) 1500 V rms
Working Voltage (at sea level) 500 V rms

Mechanical Data

Recommended Coupling Nut Torque 4 in-lbs
Coupling Proof Torque 5.3 in-lbs
Contact Captivation-axial ≥ 6.1 lbs
Durability (mating) ≥ 100

Environmental Data

Temperature Range -65°C to +165°C
Thermal Shock MIL-STD-202, Method 107, Condition B
Moisture Resistance MIL-STD-202, Method 206
Corrosion MIL-STD-202, Method 101, Condition B
RoHS Compliant