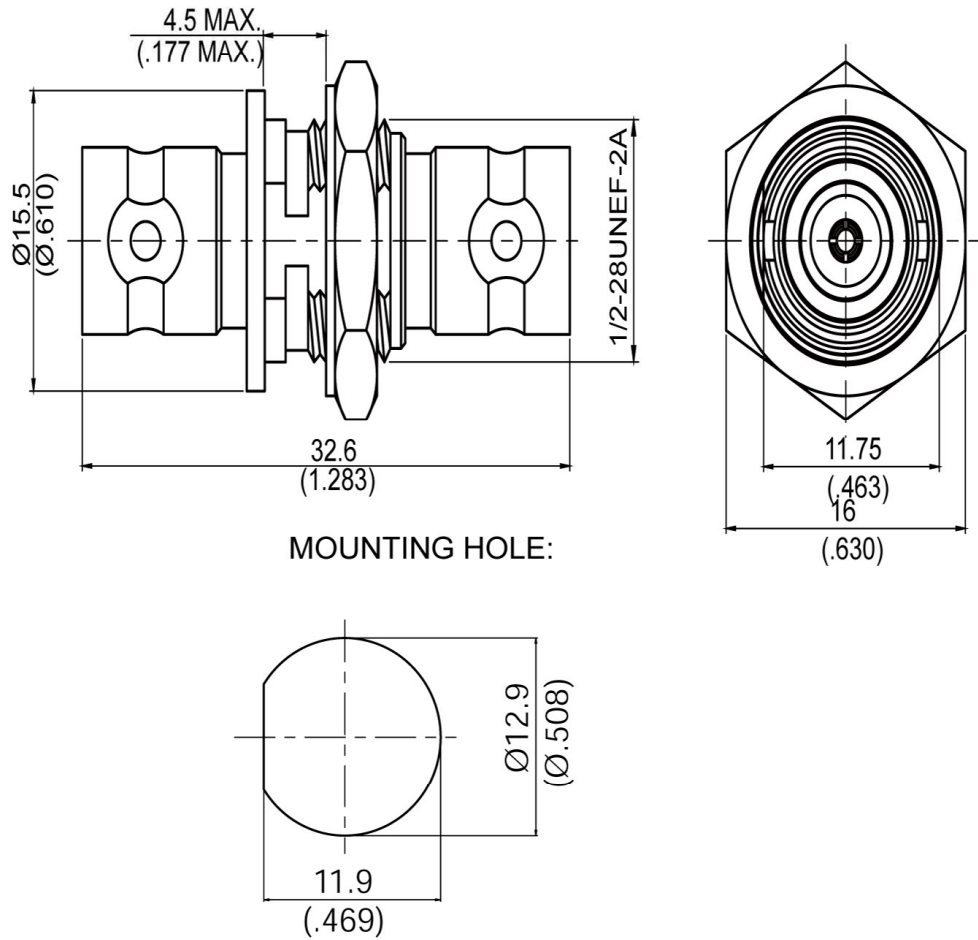


310000042

BNC Jack to BNC Jack Bulkhead

50Ω



Parts	Material	Plating (Micro-inch)
Body	Brass	Tin-Zinc-Copper-Alloy 100 Over Copper 50
Contact Pin	Beryllium Copper	Gold 4 Over Nickel-Phosphorus Alloy 80 Over Copper 20
Nut Hex	Brass	Tin-Zinc-Copper-Alloy 100 Over Copper 50
Washer	Brass	Tin-Zinc-Copper-Alloy 100 Over Copper 50
Insulator	Teflon & Delrin	
Contact Body	Brass	Tin-Zinc-Copper-Alloy 100 Over Copper 50

Weight:

This part number complies with RoHS.

Notice:

310000042

BNC Jack to BNC Jack Bulkhead

Interface

Standard

MIL-STD-348B

Electrical Data

Impedance

50Ω

Frequency Range

DC to 4GHz

VSWR

≤ 1.2 (DC To 4GHz)

Insertion Loss

≤ 0.06 x √f(GHz) dB

Insulation Resistance

≥ 5000MΩ

Dielectric Withstanding Voltage (at sea level)

1500 V rms

Working Voltage (at sea level)

500 V rms

Mechanical Data

Recommended Coupling Nut Torque

0.6 to 2.5 in-lbs

Contact Captivation-axial

≥ 6.1 lbs

Durability (mating)

≥ 500

Environmental Data

Temperature Range

-40°C to +120°C

Thermal Shock

MIL-STD-202, Method 107, Condition B

Moisture Resistance

MIL-STD-202, Method 206

Corrosion

MIL-STD-202, Method 101, Condition B

RoHS

Compliant

Notice: